

GRADE S SHACKLES

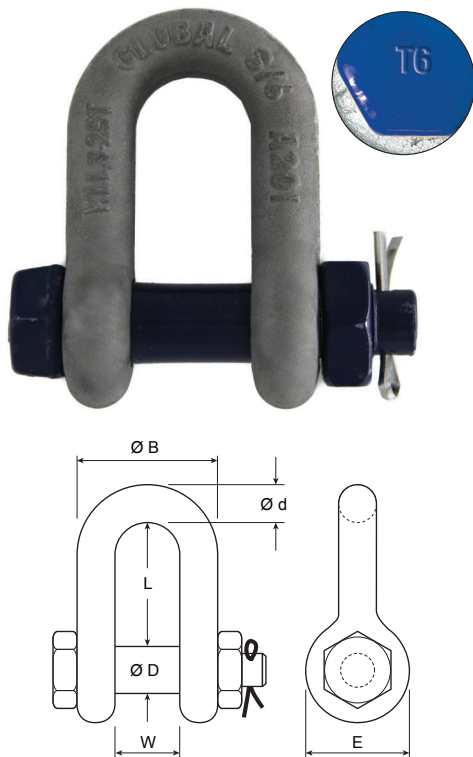
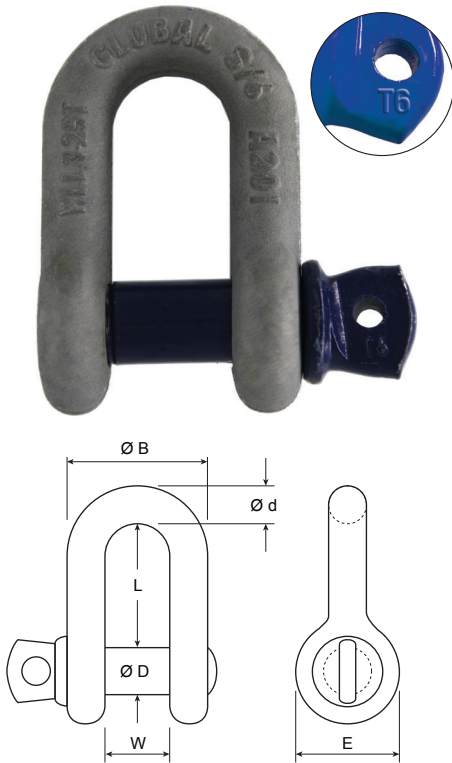


GLOBAL LIFTING GROUP

DEE SHACKLES

STANDARD FEATURES

- Global shackles manufactured in accordance with AS2741-2002 standard.
- All Global shackles undergo a stringent quality control process by the manufacturer using ISO900 and batch testing, as well as Australian in-house processes covering batch proof/break testing and forging checks.
- All shackles are easily identified with markings such as brand, W.L.L., grade and batch. Pins are marked with T6 representing Global & Grade 6.
- All shackles are batch marked for traceability from manufacture to point of sale.
- Test and mill Certificates are available upon request.
- Suitable for all lifting applications in industries such as mining, resources and construction.
- Finish: HDG with blue painted pins.
- Larger capacities available on request.



W.L.L.	d (mm)	D (mm)	W (mm)	L (mm)	E (mm)	Approx. Weight Ea	
						Screw Pin	Safety Pin
0.5	6	8	12	22	17	0.04	0.5
0.75	8	10	13	26	21	0.076	0.9
1	10	11	17	32	25	0.14	0.15
1.5	11	13	18	37	27	0.18	0.2
2	13	16	21	41	33	0.28	0.33
3.25	16	19	27	51	40	0.54	0.6
4.75	19	22	32	60	48	0.9	1.02
6.5	22	25	37	71	54	1.4	1.5
8.5	25	29	43	81	60	2.1	2.3
9.5	29	32	46	90	67	2.9	3.3
12	32	35	52	100	76	4	4.4
13.5	35	38	57	113	84	5.4	5.8
17	38	41	60	124	92	7	7.7
25	44	51	73	146	110	11.8	12.6
35	51	57	83	171	127	17	18.8
55	63	70	105	203	152	33	35
85	76	83	127	214	165	42.5	56

All Dimensions, d, D, W, L, E & unit weights, all have a an acceptable tolerance of +8% or -5% as stated in AS2741-2002

GRADE S SHACKLES

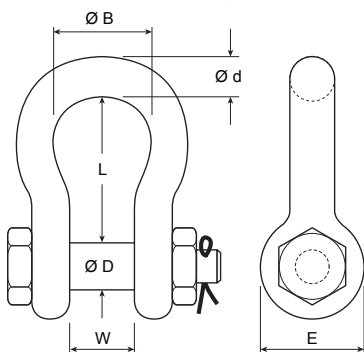
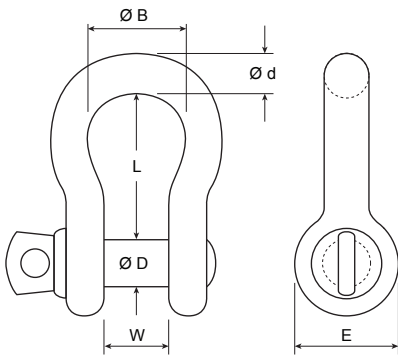


GLOBAL LIFTING GROUP

BOW SHACKLES

STANDARD FEATURES

- Global shackles manufactured in accordance with AS2741-2002 standard.
- All Global shackles undergo a stringent quality control process by the manufacturer using ISO900 and batch testing, as well as Australian in-house processes covering batch proof/break testing and forging checks.
- All shackles are easily identified with markings such as brand, W.L.L., grade and batch. Pins are marked with T6 representing Global & Grade 6.
- All shackles are batch marked for traceability from manufacture to point of sale.
- Test and mill Certificates are available upon request.
- Suitable for all lifting applications in industries such as mining, resources and construction.
- Finish: HDG with blue painted pins.
- Larger capacities available on request.



W.L.L.	d (mm)	D (mm)	W (mm)	L (mm)	B (mm)	E (mm)	Approx. Weight Ea	
							Screw Pin	Safety Pin
0.33	5	6	10	22	15	14	0.03	na
0.05	6	8	12	29	20	17	0.05	0.06
0.75	8	10	13	31	21	21	0.09	0.1
1	10	11	17	37	26	25	0.14	0.17
1.5	11	13	18	43	29	27	0.2	0.24
2	13	16	21	48	33	33	0.31	0.36
3.25	16	19	27	61	43	40	0.6	0.69
4.75	19	22	32	72	51	48	1	1.12
6.5	22	25	37	84	58	54	1.6	1.7
8.5	25	29	43	95	68	60	2.3	2.5
9.5	29	32	46	108	74	67	3.2	3.45
12	32	35	52	119	83	76	4.4	4.9
13.5	35	38	57	133	92	84	5.8	6.4
17	38	41	60	146	98	92	7.7	8.4
25	44	51	73	178	127	110	13	14
35	51	57	83	197	146	127	19	20
55	65	69	104	263	-	-	37	39
85	75	83	125	325	-	-	59	63

All Dimensions, d, D, W, L, E, B & unit weights, all have a an acceptable tolerance of +8% or -5% as stated in AS2741-2002