

2t PALLET LIFTING BARS

Maxirig

QUALITY LIFTING SOLUTIONS



These units are designed to lift standard pallets via multi leg chain slings. They are fitted with sliding keepers to ensure stability under load.

MAXIRIG PRODUCT CODE

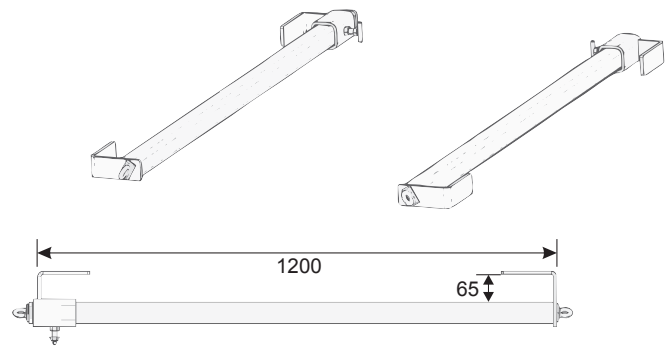
PLB1020

DESCRIPTION

Work Load Limit:	2 tonne
Tare Weight:	18kg per pair
Dimensions:	1240mm (L)
Finish:	Y14 Golden Yellow

PRODUCT ASSURANCE

Parent Standard:	AS4991
Proof Load Testing	Yes
MPI Weld Inspection	Yes
Manufacturer's Guarantee	1 Year



- ✓ Australian designed and made.
- ✓ Full compliance with AS4991-2004.

- ✓ Supplied with proof load test.
- ✓ Supplied with MPI welding report.

KEY FEATURES



WE PROVIDE SUPERIOR QUALITY LIFTING PRODUCTS AUSTRALIA WIDE

All Maxirig products are designed and manufactured in Australia by our highly skilled team of engineers and boilermakers.



VISIT WWW.MAXIRIG.COM.AU