



PLATE CLAMP

The Global Plate Clamps are manufactured from high quality steel to guarantee the safety and durability required by industrial applications. They are suitable for the lifting and transferring of non-sagging steel plates in a vertical or horizontal position.

Universal



Horizontal

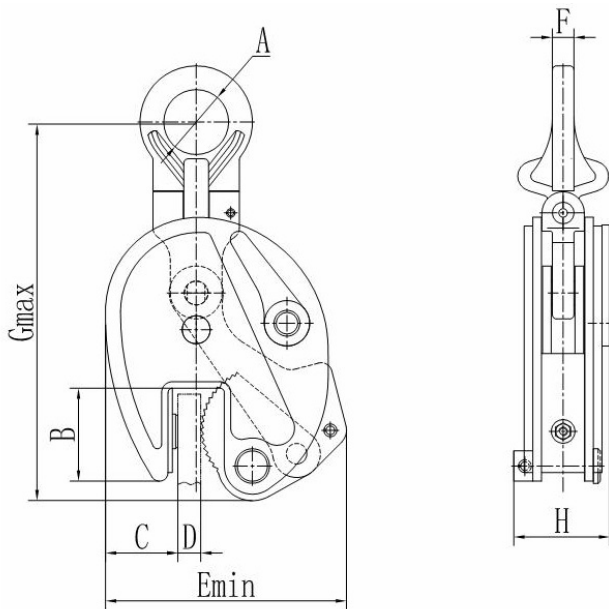


FEATURES

- The Global Plate Clamps are manufactured to comply with AS4991
- These clamps are ergonomically designed to improve the user experience. They are compact and light-weight without compromising the quality of the design
- Suitable for the lifting and transferring of steel plates and other materials in a wide variety of industries such as; shipbuilding, construction, fabrication, manufacturing and off-shore applications

SPECIFICATIONS

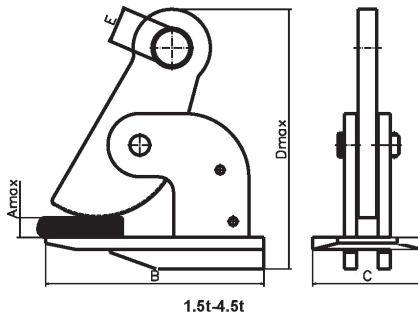
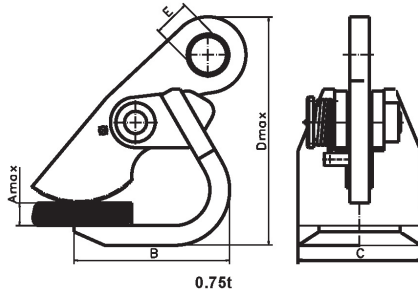
GLOBAL UNIVERSAL PLATE CLAMPS



Model	GLUC050	GLUC100	GLUC200	GLUC300	GLUC500	
Capacity (Kg)	500	1000	2000	3000	5000	
Jaw (mm)	0 - 15	0 - 20	0 - 25	0 - 30	0 - 50	
Dimensions (mm)	A	φ30	φ48	φ68	φ74	φ80
	B	43	63	78	85	100
	C	34	50	61	57	66
	D	0 - 17	0 - 22	0 - 27	0 - 32	0 - 52
	Emin	106	145	174	207	240
	F	10	12	16	20	24
	Gmax	216	292	369	428	481
	H	50	66	76	102	110
Net weight (Kg)	2	4.5	7.3	15	21.6	

SPECIFICATIONS (CONT.)

GLOBAL HORIZONTAL PLATE CLAMPS



Model	GLHC075	GLHC150	GLHC250	GLHC450	
Capacity per unit (Kg)	750	1500	2500	4500	
Capacity per pair (Kg)	1500	3000	5000	9000	
Jaw (mm)	0 - 50	0 - 50	0 - 60	0 - 100	
Dimensions (mm)	Amax	50	50	60	100
	B	127	220	260	290
	C	100	110	130	165
	Dmax	218	270	315	425
	E	φ30	φ36	φ40	φ40
Net weight per unit (Kg)	4.1	7.4	13.8	28.6	
Net weight per pair (Kg)	8.2	14.8	27.6	57.2	