



Pacific Hoists

COMEUP HYDRAULIC RECOVERY WINCHES

Comeup Hydraulic Recovery Winches feature supreme power and reliability to handle the most demanding situations. They are designed for heavy duty applications on car transporters, tilt-tray vehicles, tractors, trucks and fire / rescue vehicles and have the ability to run continuously in every condition.

Features

- Highly efficient and constant operating high torque motor.
- Fast and variable recovery speeds for high work rate.
- Two stage planetary gear train for greater pulling force.
- Free spool T-handle with easy operation for rapid wire rope payout.
- Drag brake and over-center valve providing full 100% braking.
- European Standard EN14492-1 compliant; meets SAE J706, CE Machinery Directive 2006/42/EC and REMSA Standards.
- 10:1 D/d ratio and 2:1 wire rope strength allow severe duty vehicles and commercial recovery.
- Highly efficient pulling device, NOT recommended for lifting applications.
- Higher capacities available. Please refer to the Comeup Bison range.
- Wire rope not included.



HV8



HV10



HV12



HV15

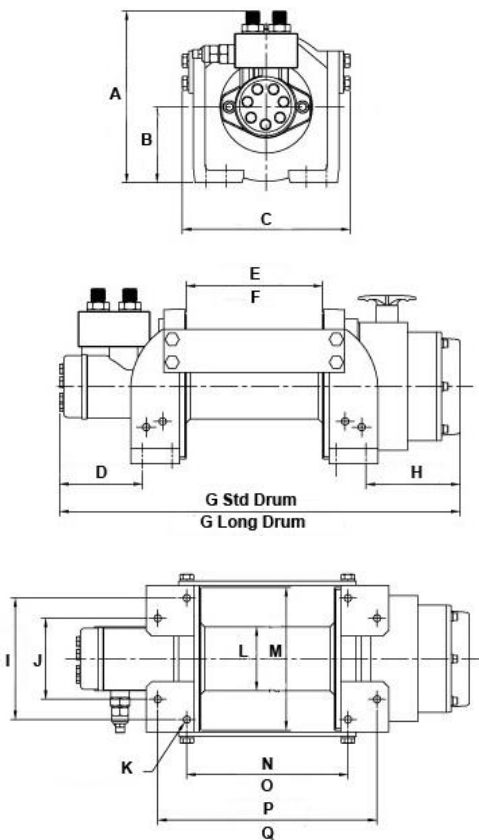
Specifications

MODEL	HV8	HV10	HV12	HV15
Line Pull (kg)	3630	4535	5440	6800
Line Speed (m/min)	15	14	10	9
Operating Pressure (Bar)	150			
Wire Rope (Ø mmxm)	11.1 x 27	12 x 34	14 x 27	16 x 24
Winch Construction	Aluminum die cast housing with steel drum			
Drum Size Std (mmxmm)	90 x 190	102 x 253	114 x 255	127 x 255
Gear Ratio	16 : 1	16 : 1	19.4 : 1	19.4 : 1
Net Weight (kg)	43.3	46.6	87	88

*Wire rope not included

Dimensions (in mm)

HV8 – HV10



MODEL	HV8	HV10
A	243.2	243.2
B	107.5	107.5
C	238	238
D	115.4	117.9
E	190	235
F	253	-
G (Std Drum)	557.6	623.1
G (Long Drum)	620.6	-
H	131	131
I	171.2	171.2
J	114	114
K	8-M10XP1.5	8-M10XP1.5
L	90	102
M	201.5	201.5
N	228.6	-
O	291.6	291.6
P	311.2	-
Q	374.2	374.2



The information shown is to be used as a guide only. Specifications are subject to change without notice. All materials handling or lifting jobs should be assessed individually. Pacific Hoists products are NOT to be used for lifting or lowering persons.

HEAD OFFICE

24 Foundry Rd,
Seven Hills NSW 2147 Australia
| P +61 2 8825 6900
| F +61 2 8825 6999
| E sales@pacifichoists.com.au

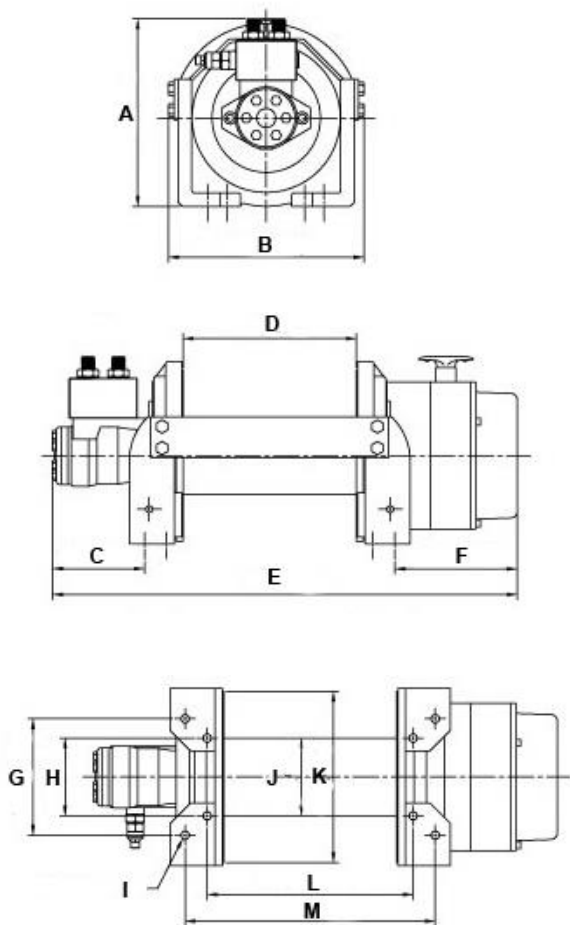
WESTERN AUSTRALIA

Unit 1, 31 Colin Jamieson Drive,
Welshpool WA 6106 Australia
| P +61 8 6253 1000
| F +61 8 9458 9840
| E sales@pacifichoists.com.au

NEW ZEALAND

11 Druces Rd,
Wiri 2104 Auckland New Zealand
| P +64 9 263 5566
| F +64 9 263 5567
| E info@pacifichoists.co.nz

HV12 – HV15



MODEL	HV12	HV15
A	276	276
B	289	289
C	135.4	139.9
D	255	255
E	684	688.5
F	180.1	180.1
G	171.2	171.2
H	114	114
I	8-M12XP1.75	8-M12XP1.75
J	114	127
K	252	252
L	303.5	303.5
M	368.5	368.5



HEAD OFFICE

24 Foundry Rd,
Seven Hills NSW 2147 Australia
| P +61 2 8825 6900
| F +61 2 8825 6999
| E sales@pacifichoists.com.au

WESTERN AUSTRALIA

Unit 1, 31 Colin Jamieson Drive,
Welshpool WA 6106 Australia
| P +61 8 6253 1000
| F +61 8 9458 9840
| E sales@pacifichoists.com.au

NEW ZEALAND

11 Druces Rd,
Wiri 2104 Auckland New Zealand
| P +64 9 263 5566
| F +64 9 263 5567
| E info@pacifichoists.co.nz

The information shown is to be used as a guide only. Specifications are subject to change without notice. All materials handling or lifting jobs should be assessed individually. Pacific Hoists products are NOT to be used for lifting or lowering persons.