



Pacific Hoists

PACIFIC ELECTRIC WIRE ROPE HOISTS

The Pacific Electric Wire Rope Hoists are suited for a wide range of applications such as warehouses, construction sites and factories. Due to its compact and lightweight design, it is perfect for when easy installation and quick use is needed.

Features

- Automatic upper limit switch; when rope disc touches the limit arm hoisting is automatically stopped.
- Dynamic and mechanical brake providing instant and safe braking
- Convenient 240V / single phase power supply.
- Sensor arm automatically activates lower limit switch to stop motor if rope is under wound.
- Supplied with 3m power lead and industry plug & 10m heavy duty IP65 waterproof pendant control.
- Wire rope with 360° weighted hook with safety latch.
- Optional mounting arm CRH-0710 (not available for CWS-300).
- Optional push trolley mount CRH-0720 (not available for CWS-300).

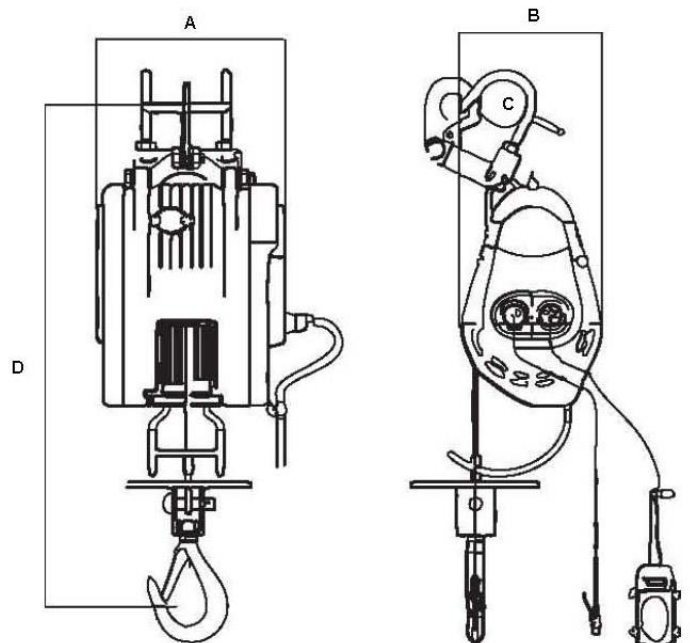
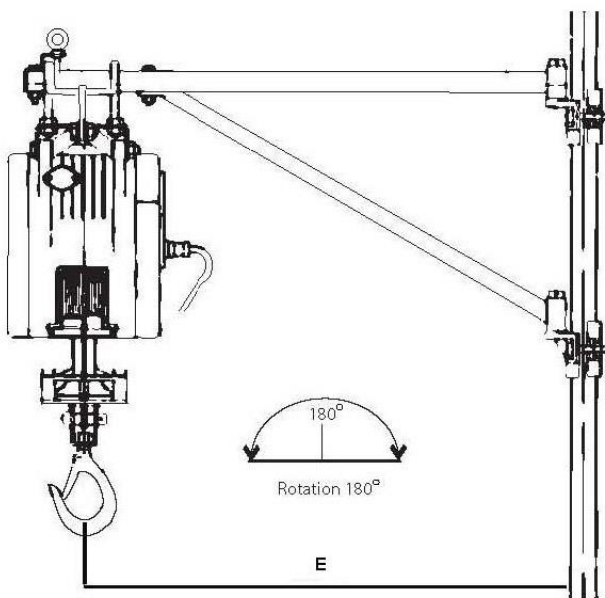


Specifications

MODEL	CWS80	CWS160	CWS230	CWS300
Stock Code	CWS080	CWS160	CWS230	CWS300
Rated Capacity (kg)	80	160	230	300
Motor Output (kW)	0.8	1.2	1.3	1.5
Power Supply	240V 1Ø 50Hz			
Max. Height of Lift (m)	35	40	24	24
Wire Rope Dimension (Ø mmxm)	3.3 x 36	4.0 x 41	5.0 x 25	4.8 x 25
Net Weight (kg)	9	14	15	17

Optional Attachments

MODEL	CRH0710	CRH0720	CRH0720
Stock Code	CRH071	666110	666111
Description	Swivel arm assembly	Trolley mount bracket to fit hoist to PPT105 and PPT305MK (NZ only). Suitable for CWS-80	Trolley mount bracket to fit hoist to PPT105 and PPT305MK (NZ only). Suitable for CWS-160 / CWS-230 / CWS-300



The information shown is to be used as a guide only. Specifications are subject to change without notice. All materials handling or lifting jobs should be assessed individually. Pacific Hoists products are NOT to be used for lifting or lowering persons.

HEAD OFFICE

24 Foundry Rd,
Seven Hills NSW 2147 Australia
P +61 2 8825 6900
F +61 2 8825 6999
E sales@pacifichoists.com.au

WESTERN AUSTRALIA

Unit 1, 31 Colin Jamieson Drive,
Welshpool WA 6106
P +61 8 6253 1000
F +61 8 9458 9840
E sales@pacifichoists.com.au

QUEENSLAND

5/54 Nealdon Drive,
Meadowbrook QLD 4131
P +61 7 3170 3800
F +61 7 3170 3811
E sales@pacifichoists.com.au

NEW ZEALAND

11 Druces Rd,
Manukau City 2104 Auckland
P +64 9 263 5566
F +64 9 263 5567
E info@pacifichoists.co.nz

MODEL	CWS80	CWS160	CWS230	CWS300
A	200	244	244	244
B	168	182	182	182
C	Ø65	Ø60	Ø60	Ø60
D	605	640	640	640
E	879	879	879	879



HEAD OFFICE

24 Foundry Rd,
Seven Hills NSW 2147 Australia
P +61 2 8825 6900
F +61 2 8825 6999
E sales@pacifichoists.com.au

WESTERN AUSTRALIA

Unit 1, 31 Colin Jamieson Drive,
Welshpool WA 6106
P +61 8 9258 1100
F +61 8 9458 9840
E sales@pacifichoists.com.au

QUEENSLAND

5/54 Nealdon Drive,
Meadowbrook QLD 4131
P +61 7 3170 3800
F +61 7 3170 3811
E sales@pacifichoists.com.au

NEW ZEALAND

11 Druces Rd,
Manukau City 2104 Auckland
P +64 9 401 5606
F +64 9 263 5567
E info@pacifichoists.co.nz

The information shown is to be used as a guide only. Specifications are subject to change without notice. All materials handling or lifting jobs should be assessed individually. Pacific Hoists products are not to be used for lifting or lowering persons.